

## MOBOTIX D15 2x 6MP DualDome Camera



Technical specifications subject to change without notice

*Adjustable lens modules can capture two different areas simultaneously.*

### Versatile. Twice As Vigilant.

The D15 is a dual-lens dome camera with two lens modules providing a wide range of fully adjustable viewing options. The D15 180° model delivers a super-wide panorama view in super-high resolution.

**Technical specifications subject to change without notice.** For more information on the D15 and on the entire range of MOBOTIX products, such as prices, manuals, video management software for computers and iOS devices, etc., please go to [www.mobotix.com](http://www.mobotix.com) > **Products**. Or contact us by phone (+49 06302 9816-103) or email ([sales@mobotix.com](mailto:sales@mobotix.com)).



Adjustable Lenses

## Versatile Installation

Choose from various lens units, all fully adjustable in any direction within the camera. This flexibility, combined with the dual-lens system, provides practically unlimited viewing options from one camera.



180°

## Panoramic View

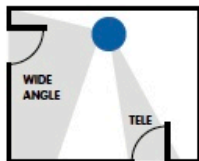
The D15 180° model captures a super-wide view, with a combined maximum recording resolution of 12 megapixels. The fixed lenses can be manually adjusted up/down, swivelled left/right for viewing adjustment.



Fixed Lenses

## Day & Night Capture

The D15-Sec-DNight-Fix includes a locked-lens system with parallel alignment of two lens units for perfect same-view day and night video capture.



## Two Cameras In One

Dual-lens system captures two different views simultaneously and requires only a single PoE cable connection.

## Technical Data

<b>Lens Options</b>	B036 to B237 (L20 to L135), 180° version (panorama), DNight-FIX version with parallel Day/Night lenses	<b>Min. Light Sensitivity</b>	Day Sensor: 0.1 lux at 1/60 sec Night Sensor: 0.02 lux at 1/60 sec
<b>Image Sensors</b>	1/1.8" CMOS (6MP) Day (Color) or Night (B&W)	<b>Sensor Resolution</b>	6MP: 3072×2048 pixels (Color/B&W)
<b>Max. Frame Rate (MxPEG)</b>	MEGA/HD: 30 fps, QXGA: 15 fps, 6MP: 8 fps, 2x 6MP: 4 fps	<b>Compression</b>	MxPEG, M-JPEG, JPEG, H.264 (SIP video only)
<b>DVR Recording</b>	Internal: microSD Card External: PC/NAS (to 4 TB)	<b>Audio</b>	Integrated microphone & speaker, VoIP, intercom, sound recording
<b>Operating Conditions</b>	IP54/65 (without/with wall mount), IK10, IP66/IK10+ (with Vandalism Kit), -30 to +60 °C	<b>Internal Sensors</b>	Temperature, PIR, microphone illumination, shock detector
<b>Image Processing</b>	MxActivitySensor, VMD, image correction, backlight	<b>Software (free of charge)</b>	MxManagementCenter, MOBOTIX App



# D15 – Technical Specifications

Security-Vision-Systems **MOBOTIX**

Camera Variants	D15 Day	D15 Night	D15 180° Day	D15 180° Night	D15 DNight-Fix
Specialties	<b>Modular system:</b> D15 Body MX-D15Di-Sec with 1 or 2 lens units of choice (self-assembly)		<b>Complete Sets:</b> D15 models with factory-fitted lens units		
<b>Lenses, Sensors</b>					
Lens unit with Ultra Wide Lens B036 (103° x 77°), night version optionally with long-pass filter (LPF)	MX-D15-Module-D20-6MP-F1.8	MX-D15-Module-N20-(LPF)-6MP-F1.8	-	-	MX-D15Di-Sec-DNight-D20N20-FIX-6MP-F1.8
Lens unit with Super Wide Lens B041 (90° x 67°), night version optionally with long-pass filter (LPF)	MX-D15-Module-D22-6MP-F1.8	MX-D15-Module-N22-(LPF)-6MP-F1.8	MX-D15Di-Sec-180-6MP-F1.8	MX-D15Di-Sec-Night-180-6MP-F1.8	MX-D15Di-Sec-DNight-D22N22-FIX-6MP-F1.8
Lens unit with Wide Lens B061 (60° x 45°), night version optionally with long-pass filter (LPF)	MX-D15-Module-D32-6MP-F1.8	MX-D15-Module-N32-(LPF)-6MP-F1.8	-	-	MX-D15Di-Sec-DNight-D32N32-FIX-6MP-F1.8
Lens unit with Standard Lens B079 (45° x 34°), night version optionally with long-pass filter (LPF)	MX-D15-Module-D43-6MP-F1.8	MX-D15-Module-N43-(LPF)-6MP-F1.8	-	-	MX-D15Di-Sec-DNight-D43N43-FIX-6MP-F1.8
Lens unit with Tele Lens B119 (31° x 23°), night version optionally with long-pass filter (LPF)	MX-D15-Module-D65-6MP-F1.8	MX-D15-Module-N65-(LPF)-6MP-F1.8	-	-	MX-D15Di-Sec-DNight-D65N65-FIX-6MP-F1.8
Lens unit with Distant Tele Lens B237 (15° x 11°), night version optionally with long-pass filter (LPF)	MX-D15-Module-D135-6MP-F1.8	MX-D15-Module-N135-(LPF)-6MP-F1.8	-	-	MX-D15Di-Sec-DNight-D135N135-FIX-6MP-F1.8
Image sensor with individual exposure zones	Color	B/W	Color	B/W	Color + B/W
Sensor sensitivity in lux at 1/60 s /1 s	0,1/0,005	0,02/0,001	0,1/0,005	0,02/0,001	0,1/0,005 (Color) 0,02/0,001 (B/W)
Image sensor resolution (color or B/W sensor)	6MP (3072 x 2048)				

Hardware Functions					
Protection class with no accessories/Outdoor Wall Mount/Vandalism Set	IP54/IP65/IP66 and IK10/IK10/IK10+				
Ambient temperature (range)	-30 to 60°C/-22 to 140°F				
Temporary internal DVR	64 MB				
Internal DVR, ex works	4 GB (microSD)				
Microphone/speaker	•/•				
Passive infrared sensor (PIR)	•				
Camera optics with Long-Pass Filter (LPF)	-	• (optional)	-	-	-
Integrated temperature sensor	•				
Shock detector	•				
Power consumption (typical)	< 7 watts				
Variable PoE class (factory default: 3)	2 or 3				
Interfaces Ethernet/MxBus/USB	•/•/•				
Interfaces IO and RS232	With accessory (MX-232-IO-Box)				

Image Formats, Frame Rates, Image Storage				
Maximum image format (dual image from both sensors)	2x 6MP (6144 x 2048) 2x 6MP			
Maximum frame rate (MxPEG, max. resolution)	8 fps (6MP), 4 fps (2x 6MP)	4 fps (2x 6MP)	8 fps (6MP) 4 fps (2x 6MP)	
CIF images with 4 GB MicroSD DVR	250,000			
VGA images with 4 GB MicroSD DVR	125,000			
HD images with 4 GB MicroSD DVR	40,000			
QXGA images with 4 GB MicroSD DVR	20,000			



# D15 – Technical Specifications

Security-Vision-Systems

**MOBOTIX**

Camera Variants	D15 Day	D15 Night	D15 180° Day	D15 180° Night	D15 DNight-Fix
<b>General Functions</b>					
Digital zoom (continuous) with panning	•	•	•	•	•
Codecs: Motion-JPEG/MxPEG/H.264 for SIP	•/•/•	•/•/•	•/•/•	•/•/•	•/•/•
Programmable exposure zones	•	•	•	•	•
Snapshot recording (pre/post-alarm images)	50	50	50	50	50
Terabyte ring buffer storage (internal/network)	•	•	•	•	•
Continuous recording with sound (0.2 to 30 fps)	•	•	•	•	•
Event recording with sound	•	•	•	•	•
Time and event control/flexible event logic	•/•	•/•	•/•	•/•	•/•
Weekly schedules/holidays	•	•	•	•	•
Web functionality (FTP, email)	•	•	•	•	•
Playback/QuadView and MultiView	•/•	•/•	•/•	•/•	•/•
Bidirectional sound in browser	•	•	•	•	•
Logo generator, animated	•	•	•	•	•
Master/Slave arming	•	•	•	•	•
Several scheduled privacy zones	•	•	•	•	•
Customized voice messages	•	•	•	•	•
VoIP telephony (audio/video, alert)	•	•	•	•	•
Remote alarm notification (network message)	•	•	•	•	•
Signal inputs/outputs and RS232 via MxBus module	•	•	•	•	•
Programming interface (HTTP API)	•	•	•	•	•
Security Features (HTTPS/S/L, IP-based access control, IEEE 802.1X network authentication)	•	•	•	•	•
<b>Video Analysis</b>					
Video motion detector	•	•	•	•	•
MxAnalytics	–	–	–	–	–
MxActivitySensor	•	•	•	•	•
<b>Video Management Software</b>					
MxManagementCenter/MxControlCenter/MxEasy	•	•	•	•	•
MOBOTIX App (iOS)	•	•	•	•	•

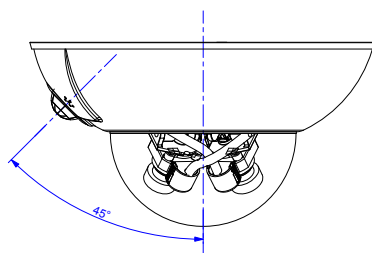
- available ex works
- not available

**Delivered Parts D15**

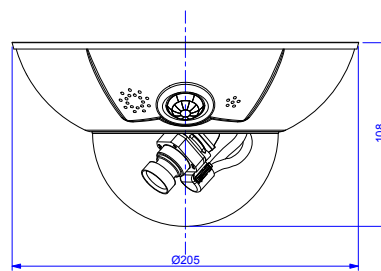


(Excerpt from the technical documentation: [www.mobotix.com](http://www.mobotix.com) > Support > Manuals)

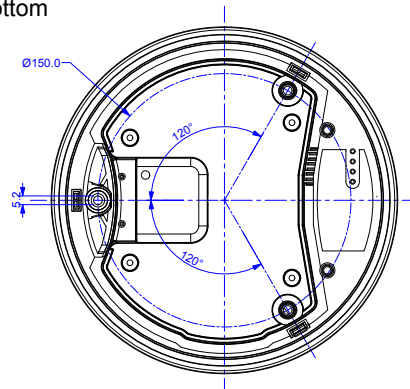
Side



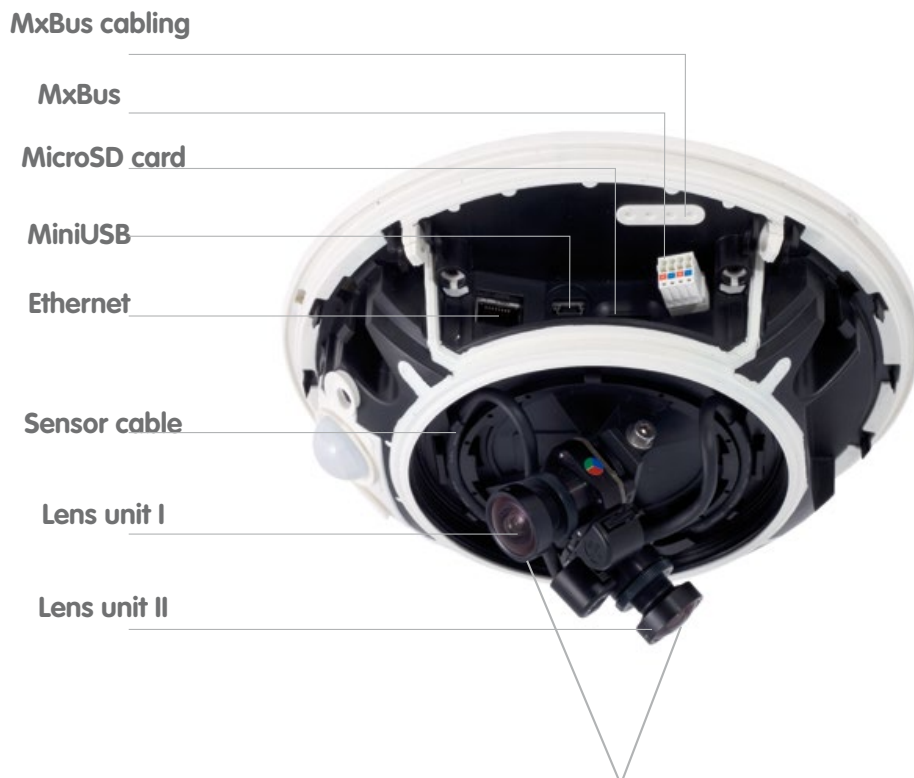
Front



Bottom



(Excerpt from technical drawings and 3D views: [www.mobotix.com](http://www.mobotix.com) > Support > Image Database)



Two freely positionable camera modules

(D15 – Camera housing and connectors, excerpt from the technical documentation)